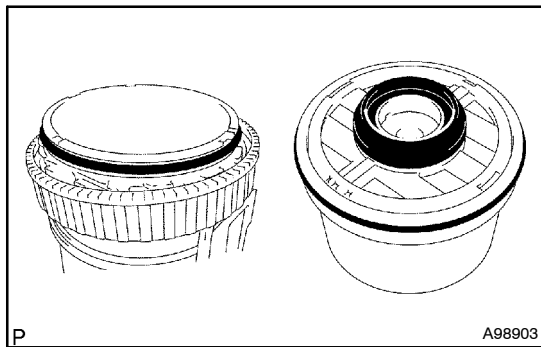
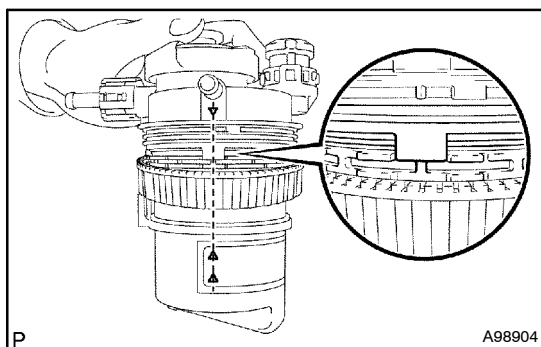


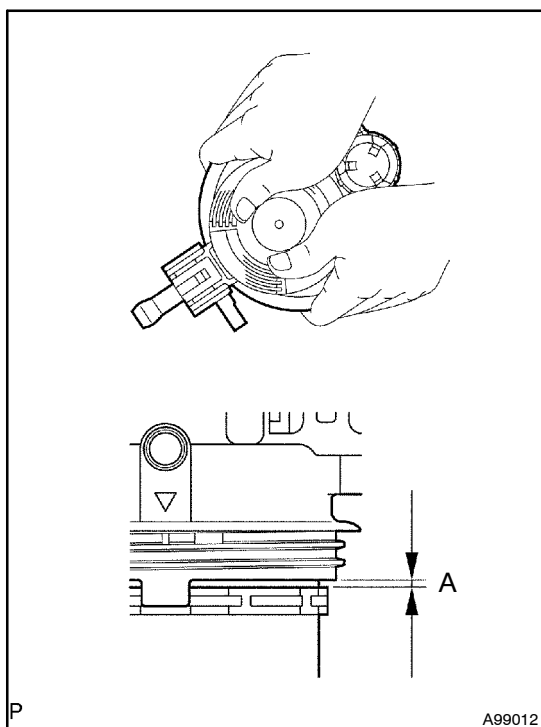
- (h) To remove the cap, pull up one side of the cap and then lift it off.
- (i) Remove the filter element from the case.



- (j) Remove the case side O-ring.
- 4. INSTALL FUEL FILTER ELEMENT**
- (a) Install 2 new O-rings to a new element, and a new O-ring to the case.



- (b) Install the new element to the case.
- (c) Align the cap's mark and case's mark.



- (d) Push the cap into the case by hand.
- Clearance (A): 1.5 mm (0.059 in.) or less**
- HINT:**
The clearance between the cap and case should be even around the entire circumference of the cap and case.