

# FUEL FILTER ASSY (HILUX/1KD-FTV, 2KD-FTV (TSAM MADE FOR SOUTH AFRICA))

## REPLACEMENT

1116Q-08

### HINT:

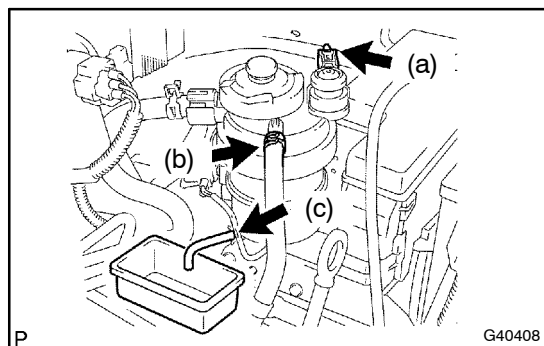
When replacing the filter, use TOYOTA genuine parts or equivalent parts.

### 1. DISCONNECT CABLE FROM NEGATIVE BATTERY TERMINAL

#### CAUTION:

Wait at least 90 seconds after disconnecting the cable from the negative (-) battery terminal to prevent airbag and seat belt pretensioner activation.

### 2. LOOSEN FUEL TANK CAP ASSY

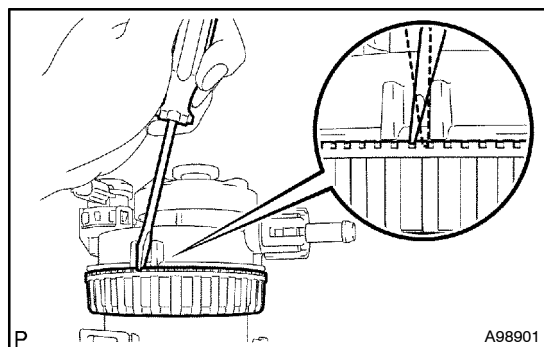


### 3. REMOVE FUEL FILTER ELEMENT

#### HINT:

Replacement of the fuel filter element can be performed with the fuel filter assy installed to the bracket.

- (a) Disconnect the warning switch connector.
- (b) Move the clip to disconnect the hose connected to the filter outlet side.
- (c) Connect a hose to the drain cock. Place the other side of the same hose into a container.
- (d) Loosen the drain cock to drain fuel (approximately 50 cc (3.0 cu in.)).
- (e) Tighten the drain cock.
- (f) Using a screwdriver as a lever, loosen the fastener nut until it can be loosened by hand.



- (g) Fully loosen the fastener nut by hand.

